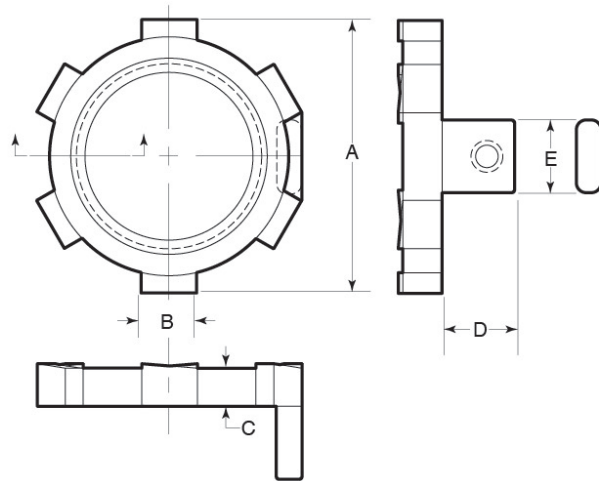
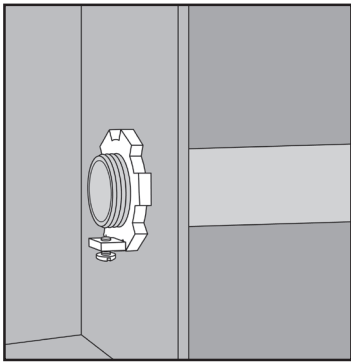


# STAINLESS STEEL GROUNDING LOCKNUTS



## APPLICATION

- Used to connect and secure threaded rigid conduit to an enclosure or outlet box
- Grounding lug and screw provide a secure connection for ground wiring
- Manufactured in stainless steel to help prevent corrosion
- Can be installed using ordinary hand tools and require little maintenance or repair
- Provided in a bright, polished finish that does not require touch up or painting



## PRODUCT DETAILS

### Material:

-Locknut: CF8M (316 SS)

-Grounding Screw: 316 SS

**Country of Origin:** 100%

Made in USA

Part Number	Size	Weight/ 100 (lbs.)	Dimension (in.)				
			A	B	C	D	E
8050-G	½ in.	3	1.31	0.25	0.19	0.50	0.44
8075-G	¾ in.	7	1.61	0.31	0.22	0.50	0.50
8100-G	1 in.	8	1.86	0.38	0.26	0.50	0.50
8125-G	1-¼ in.	13	2.25	0.38	0.26	0.50	0.50
8150-G	1-½ in.	16	2.56	0.44	0.27	0.50	0.50
8200-G	2 in.	21	3.06	0.60	0.28	0.50	0.50
8250-G	2-½ in.	26	3.60	0.60	0.30	0.50	0.56
8300-G	3 in.	45	4.31	0.69	0.37	0.62	0.57
8400-G	4 in.	67	5.38	0.75	0.44	0.63	0.63

