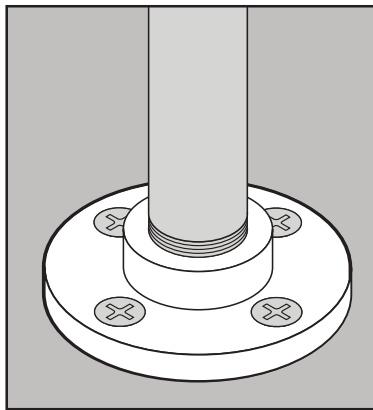
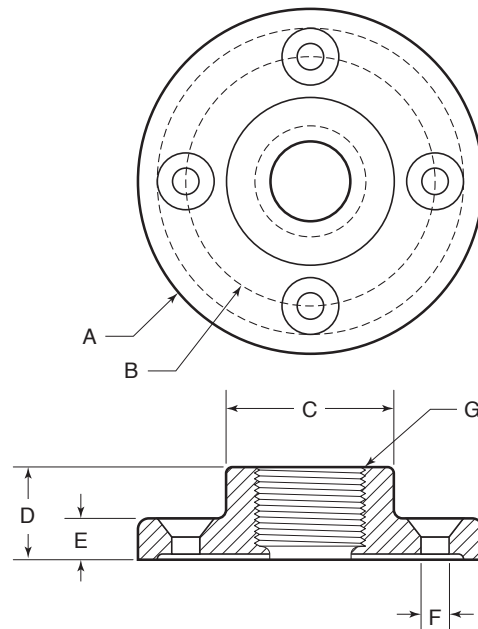


# STAINLESS STEEL FLOOR FLANGES



## APPLICATION

- Designed to mount threaded conduit to floors or walls
- Used predominantly where conduit is being used as a structural member
- Manufactured in stainless steel to help prevent corrosion
- Can be installed using ordinary hand tools and require little maintenance or repair
- Provided in a bright, polished finish that does not require touch up or painting



## PRODUCT DETAILS

**Material:**  
316 SS

**Standards:**  
ASTM A479

**Country of Origin:**  
Manufactured in USA

Part Number	Size	Weight/ 100 (lbs.)	Dimension (in.)						
			A	B	C	D	E	F	G
FF50	½ in.	100	3.33	2.40	1.50	0.90	0.40	0.27	½ - 14 NPT
FF75	¾ in.	97	3.33	2.40	1.63	0.90	0.40	0.27	¾ - 14 NPT
FF100	1 in.	142	3.95	3.00	1.88	1.10	0.40	0.27	1 - 11-½ NPT
FF125	1-¼ in.	137	3.95	3.00	2.13	1.10	0.40	0.27	1-¼ - 11-½ NPT
FF150	1-½ in.	279	5.20	4.00	3.00	1.10	0.40	0.27	1-½ - 11-½ NPT
FF200	2 in.	235	5.20	4.00	3.00	1.10	0.40	0.27	2 - 11-½ NPT

